



AkyPak[®] Cube helps you maximise cubic volume utilisation for road, rail, ocean, or air pallets shipments

Goodbye to poor cube utilisation

Companies pay the same amount of money to get the truck to its destination whether it is 60 percent full or fully loaded.

Why pay to ship through fresh air?

Until to now the only way to solve the puzzle of understanding how cargo fits securely on a truck was investing in costly load optimisation software.

Here comes **AkyPak[®] Cube**, an affordable, easy-to-use and innovative system to stack palletised cargo, creating a perfectly stable second level inside the truck that allows you to utilise every cubic meter of space.

Load optimisation wipes up excess costs

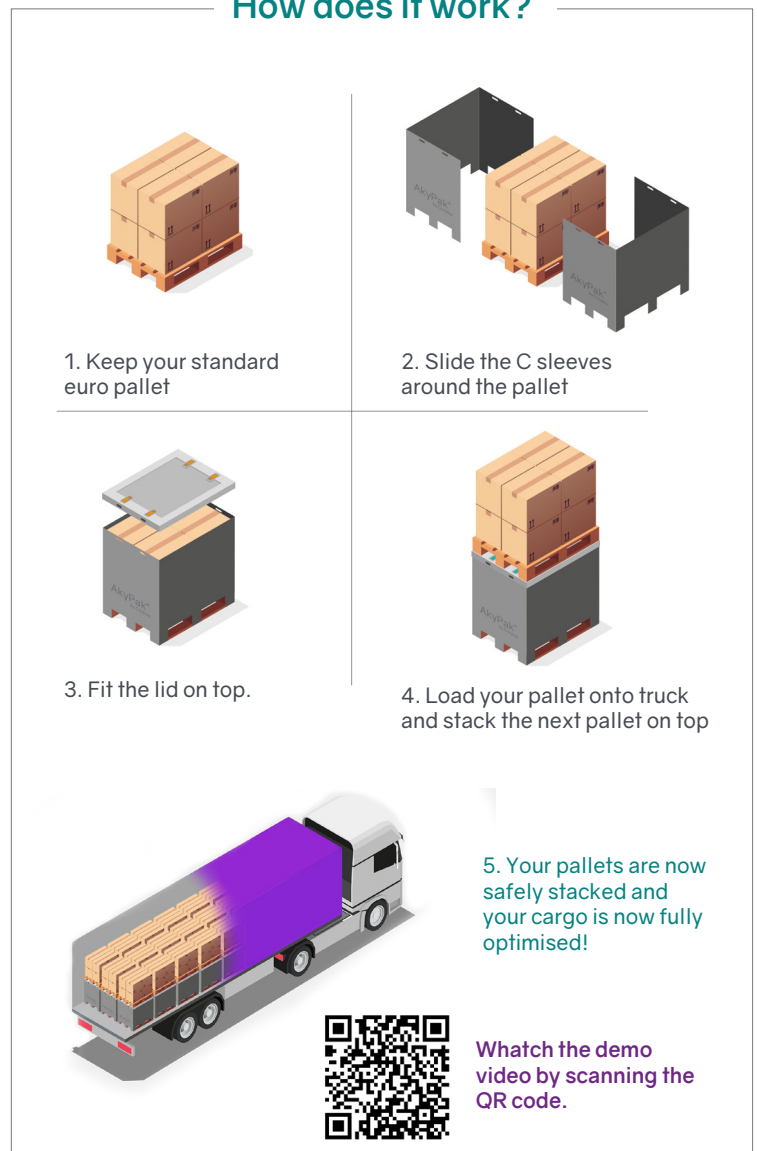
Less optimal loads leave empty space on the truck, a luxury that shippers can't afford as fuel prices and labour keep pushing up the cost of delivery.

With **AkyPak[®] Cube** savings build up very rapidly - better cube utilization results in fewer outgoing loads needed for delivery and fewer pallets to be emptied at each stop, both of which reduce delivery costs.

Green logistics

By reducing the number of trucks used, **AkyPak[®] Cube** not only lowers the operational costs of transportation but also supports your green logistics efforts by cutting the amount of CO₂ emissions produced by deliveries.

How does it work?



Watch the demo video by scanning the QR code.



Easy to use
(1 person assembly)



Cuts costs
(Less trucks rolls, save fuel costs)



Reduce CO₂ emissions
(Less trucks rolls)



Compatible with forklift



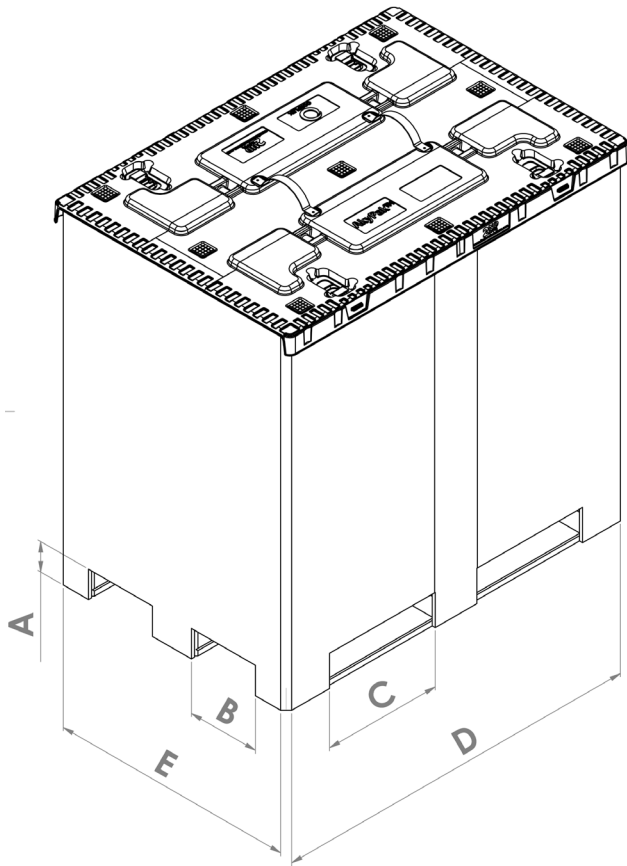
Efficient stacking



Compatible with standard pallets
(1200x800 & 1200x1000)



Reusable & Recyclable



Dimensions (mm)	12x08	12x10
A	110	110
B	237	370
C	392	400
D	1224	1224
E	824	1024

AkyPak® Cube technical and load specifications

Technical Specifications	12x08	12x10
Lid length	1234 mm	1234 mm
Lid Width	860 mm	1060 mm
Lid Weight	8 kg	10 kg
Sleeve Weight (2 halves)	2x9 kg	2x9kg
Overall external height	1203.5 mm	1203.5 mm
Overall internal height	External Height - 7 mm - Height Pallet	

Load Specifications	12x08	12x10
Load Capacity	500 kg	500 kg
Total number of pallets in a truck 1+1	30	24

Return Specifications	12x08	12x10
Lids	1 pallet 30pcs	1 pallet 24pcs
Sleeves	3 pallets 10pcs	2 pallets 12pcs

Contact:
info.marketing@corplex.com



www.corplex.com

